

FRIGIDAIRE

INTERNATIONAL

Factory Parts Catalog

Product No.	FGTD23V6MM2	FGTD23V6MW2
PNC	93900387002	93900386002
Series	R134a System	R134a System
Color	silver mist	white
Volts	220	220
Wiring Diagram	241845601	241845601
Owner's Guide	241834202	241834202
Market	Export	Export
Service Data Sheet	240506509	240506509
Installation Instructions	240568304	240568304

INTERNATIONAL

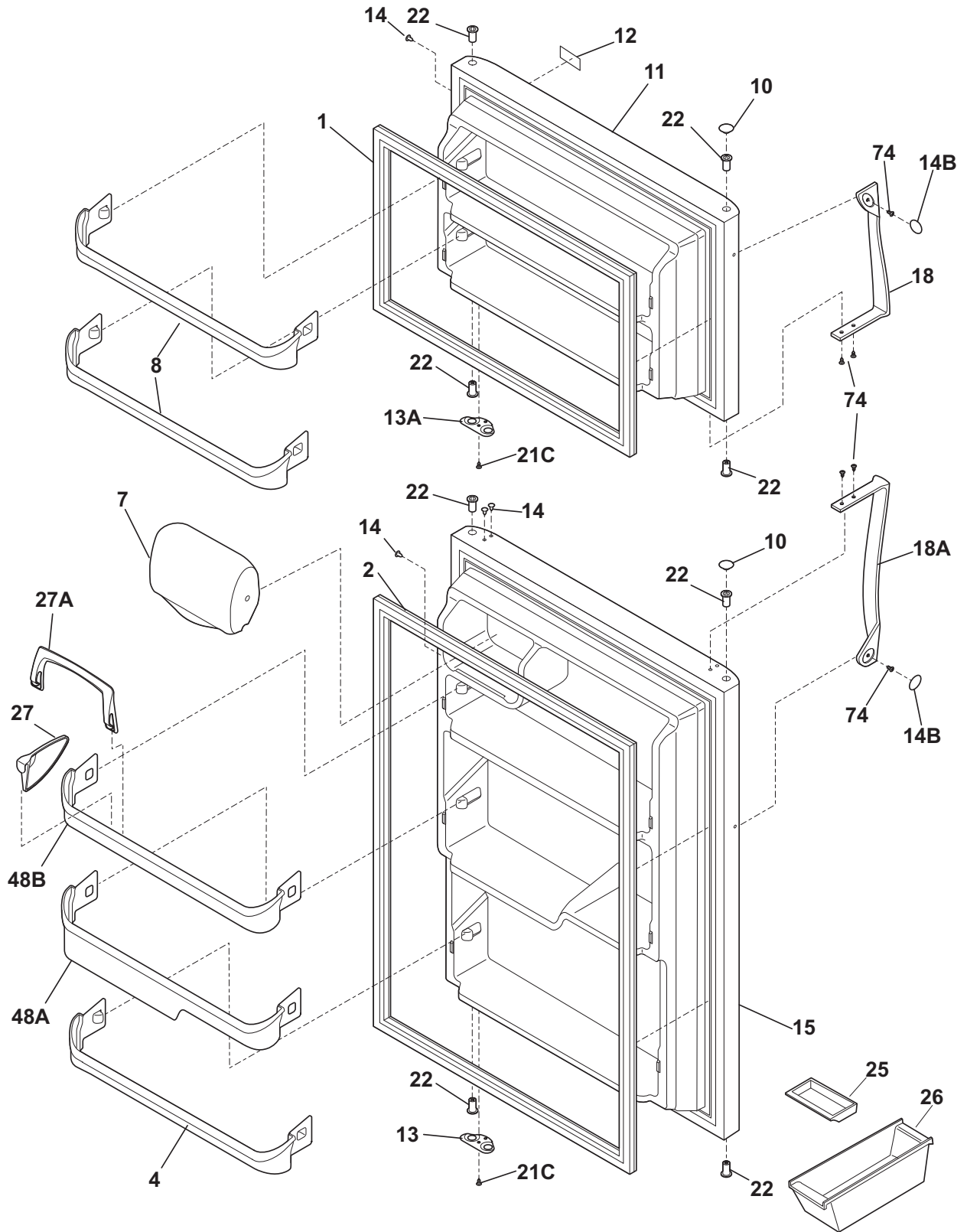
P.O. BOX 8020
CHARLOTTE, NC 28262

TOP-MOUNT REFRIGERATOR

Model No.
FGTD23V6M

Publication No.
5995614541
12/06/11
(EN/SERVICE/ECL)
390

DOOR



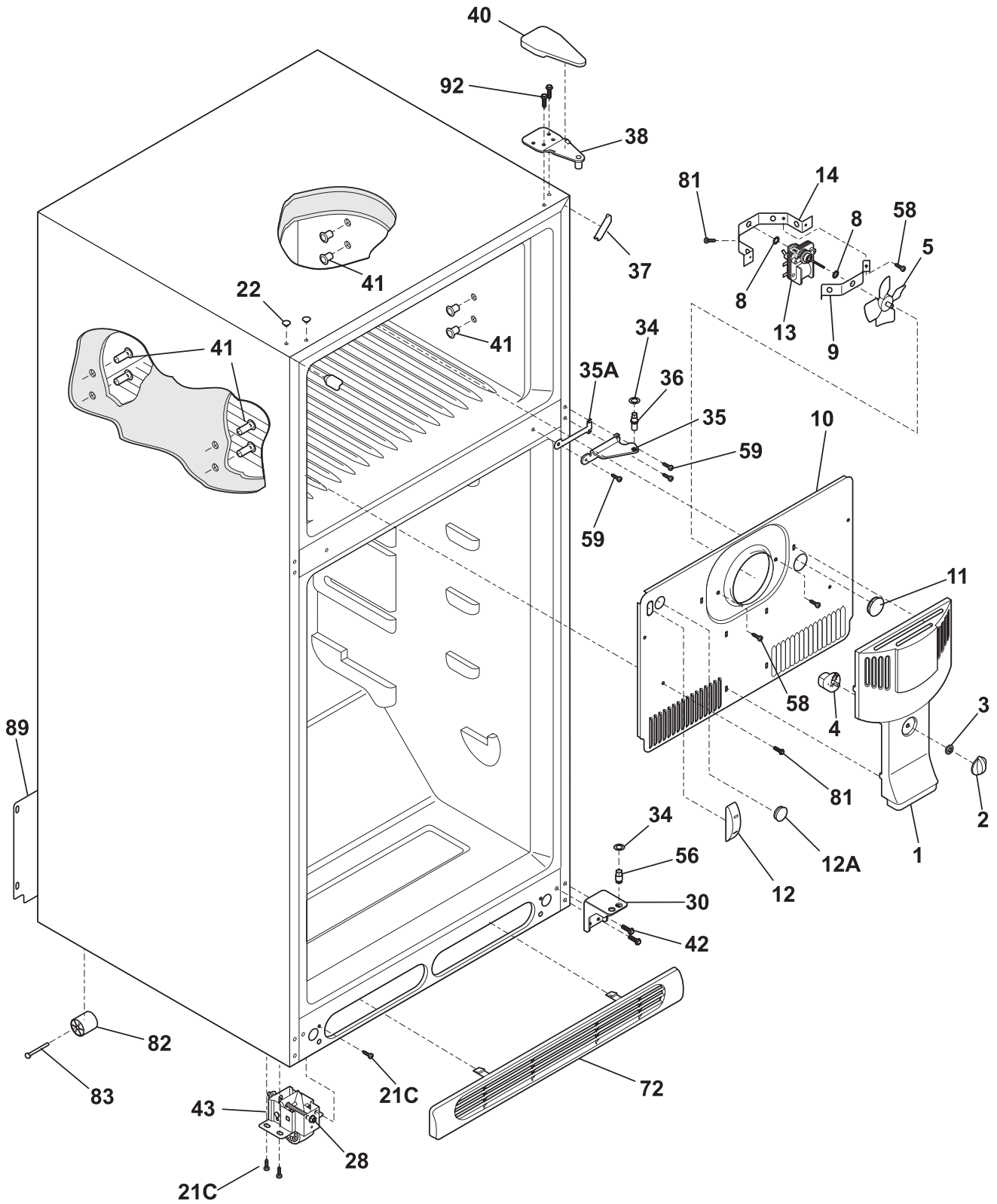
DRFGTD23V6MM0

DOOR

Model Index: **A** FGTD23V6M (FGTD23V6MM2)
 B FGTD23V6M (FGTD23V6MW2)

POS. NO	PART NO.		DESCRIPTION
1 #	241872505	A B	Gasket-frzr door, white, magnetic
2 #	241872513	A B	Gasket, refr door seal, white, magnetic
4	240534901	A B	Rack-door
7	240337717	A B	Door-dairy
8	240534801	A B	Rack-door
10	240381306	A -	Plug-button, silver mist, hinge brg hole
10	240381301	- B	Plug-button, white, hinge brg hole, (2)
11	241798428	A -	Door-frzr, silver mist, complete assy
11	241798402	- B	Door-frzr, white, complete assy
12	242016301	A B	Nameplate
13	240312405	A -	Door Stop, black, refr
13	240312403	- B	Door Stop, white, ref
13A	240312415	A -	Door Stop, black, frzr
13A	240312414	- B	Door Stop, white, frzr
14	240494006	A -	Plug-button, silver mist
14	240494001	- B	Plug-button, white
14B	240383606	A -	Plug-button, silver mist, door handle
14B	240383601	- B	Plug-button, white, door handle
15	241798534	A -	Door-refr, silver mist, complete assy
15	241798502	- B	Door-refr, white, complete assy
18	240339212	A -	Handle-door, silver mist, refr-LH/frzr-RH
18	240339201	- B	Handle-door, white, refr-LH/frzr-RH
18A	240339211	A -	Handle-door, silver mist, refr-RH/frzr-LH
18A	240339206	- B	Handle-door, white, refr-RH/frzr-LH
21C	218252201	A B	Screw, #8 truss hd, 10-32CA x 0.500
22	240527102	A -	Bearing-hinge, black
22	240527101	- B	Bearing-hinge, natural color
25	5308000716	A B	Dish, butter
26	3204522	A B	Container, egg
27	240396306	A B	Snugger-door bin, "paddle type", water blue
27A	240396106	A B	Retainer-bottle
48A	240337901	A B	Bin-door, refr
48B	240338001	A B	Bin-door, pseudo, gallon, refr
74	240383406	A B	Screw, truss hd quad, #10-16 x .500, zinc

CABINET



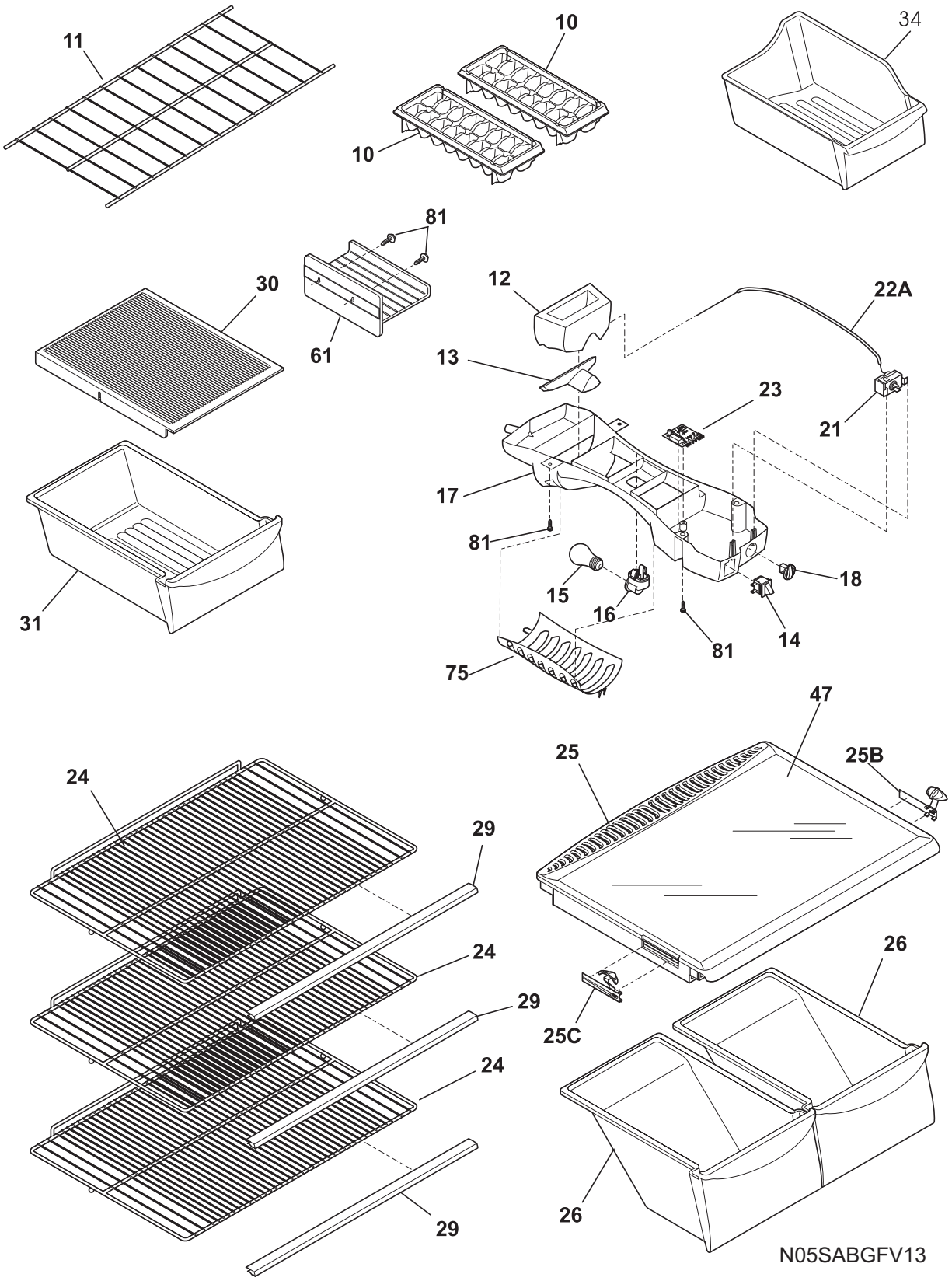
N05BBAABA17

CABINET

Model Index: A FGTD23V6M (FGTD23V6MM2)
B FGTD23V6M (FGTD23V6MW2)

POS. NO	PART NO.		DESCRIPTION
1	240355407	A B	Cover-fan
2	240367001	A B	Knob-damper control
3	5303212803	A B	Nut
4	240367401	A B	Damper-fan cover
5	5308000010	A B	Fan Blade, red, evaporator fan
8	242014101	A B	Bushing-motor mtg, (2)
9	5303292396	A B	Bracket-motor mtg, front
10	240313612	A B	Cover-evap coil, w/o light
10*#	241832601	A B	Harness-wiring, freezer
10*	240568606	A B	Seal-coil cover
11	5303208309	A B	Plug-hole, factory test
12	242193602	A B	Plug-hole, icemaker
12A	240374401	A B	Plug-wtr inlet tube, round, 1"
12A*	241586701	A B	Plug-foam-wtr-inlet, round
13 #	241832301	A B	Motor-evap fan
13*	215474201	A B	Washer, "slinger", nylon, evap fan shaft
14	5303292397	A B	Bracket-motor mtg, rear
14*	240433204	A B	Screw, hex washer head, 8-18 x 5/16
21C	218252201	A B	Screw, #8 truss hd, 10-32CA x 0.500
22	215774920	A -	Plug button, silver mist
22	215774901	- B	Plug-button, white, upr hinge holes
28	240335502	A B	Bolt-roller adj, hex washer head, 1/4-20 x 4.020, (2), special
30	240314003	A -	Bracket-lower hinge, black
30	240314011	- B	Bracket-lower hinge, zinc
34	240311303	A B	Washer, hinge, nylon, (2)
35	240313802	A -	Bracket-ctr hinge, white
35	240313806	- B	Bracket-ctr hinge, zinc
35A	240336802	A B	Spacer-hinge, center, white
36	240516402	A B	Pin-center hinge
37	240337614	A -	Trim-cabinet corner, silver mist, (2)
37	242161201	- B	Trim-cabinet corner, white, (2)
38	240313703	A B	Bracket-upper hinge
40	240354406	A -	Cover-upper hinge, silver mist
40	240354401	- B	Cover-upper hinge, white
41	5308009759	A B	Grommet, shelf mtg, 1.25", LH, (4)
42	240578902	A B	Screw, hex head, 1/4-20 x 5/8
43	240335005	A B	Roller Assy, adjustable, front, (2)
56	240516502	A B	Pin-lower hinge
58	5304456287	A B	Screw, hex washer head, 8-15A x 0.500
59	240442706	A B	Screw-#10-32 X 3/4, zinc
72	241839412	A -	Grille/Kickplate, silver mist
72	241839405	- B	Grille/Kickplate, white
81	5304455650	A B	Screw, hex washer head, 8-15A x 0.625, Low Profile
82	5304418225	A B	Roller, compressor base, rear, (2)
83	5304455655	A B	Rivet, flat head, 1/4 OD x 1-3/4, roller pin
89	241736402	A B	Cover-access, w/label
89*	241500303	A B	Screw, hex washer head, 8-18AB x 1/2
92	241710601	A B	Screw, hex washer hd, 1/4 x 7/8, hinge mtg
*	5303321319	- B	Paint, touch-up, white

SHELVES



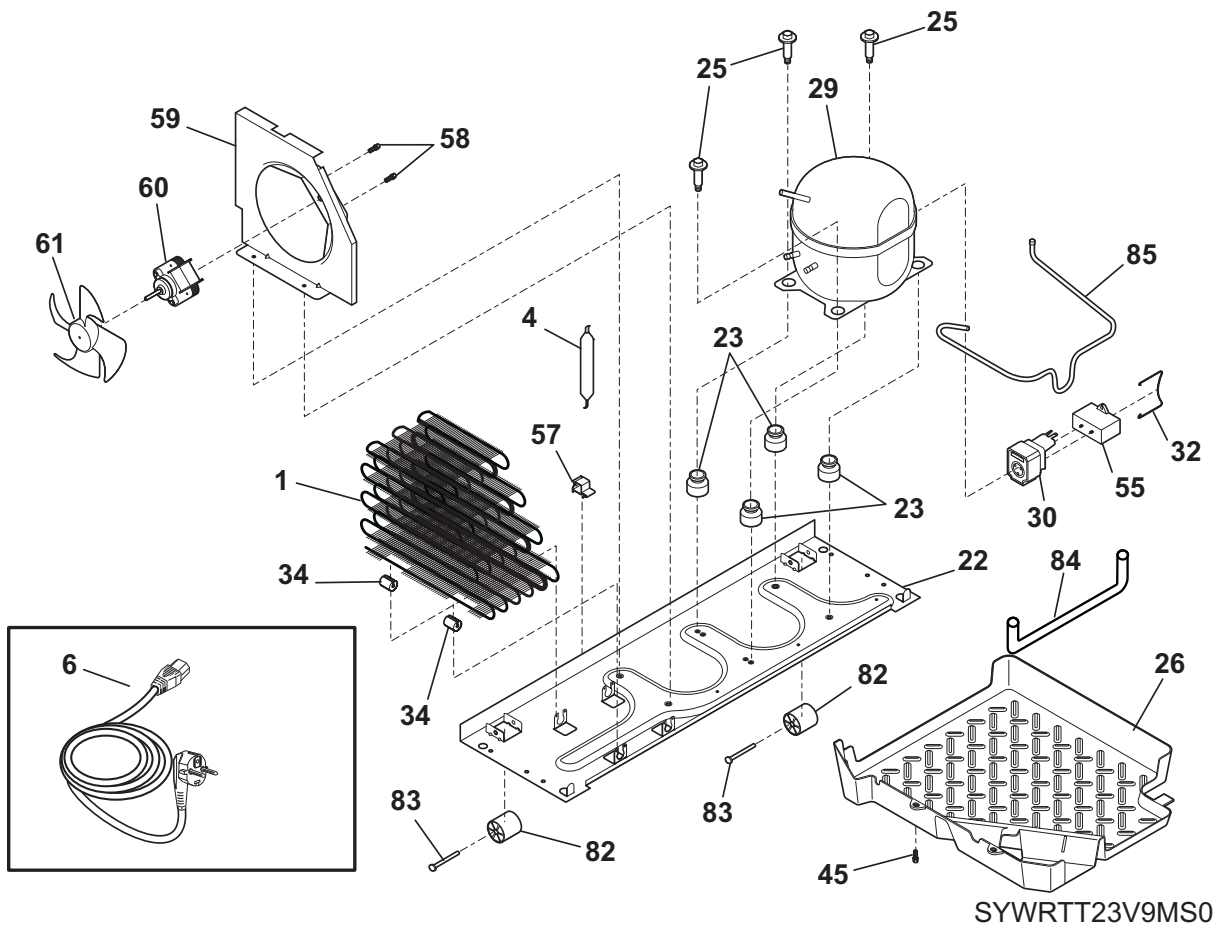
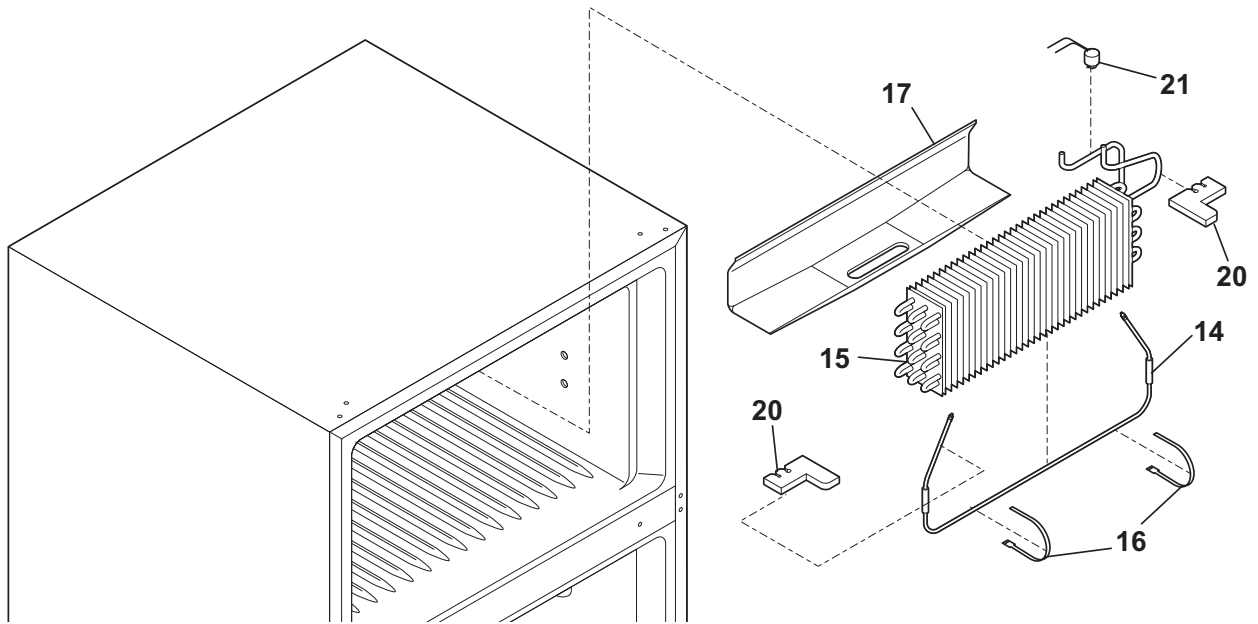
N05SABGFV13

SHELVES

Model Index: A FGTD23V6M (FGTD23V6MM2)
B FGTD23V6M (FGTD23V6MW2)

POS. NO	PART NO.		DESCRIPTION
10	215667501	A B	Tray, ice cube, plastic
11	240358006	A B	Shelf, freezer, full-width, wire
12	240545901	A B	Diffuser-air, top
13	240362601	A B	Diffuser, air, bottom
14 #	241554901	A B	Switch-light/lamp
15 #	218814402	A B	Light Bulb
16 #	240433702	A B	Socket-light/lamp
17	240368103	A B	Box-control, front
17*#	242081702	A B	Wiring Harness, control box
18	240360801	A B	Knob, temp control
21 #	5304458021	A B	Control, temperature
22A	240468201	A B	Tube, sensor sleeve, 31 inch, plastic, white
23 #	242011004	A B	Control-defrost, adaptive timer, 220/240 V, PC board
23*	5304455649	A B	Screw, pan hd, 6-20 x 0.438
24	240360904	A B	Shelf, sliding, wire
25	240364718	A B	Cover-crisper pan
25B	241613501	A B	Control-humidity, RH
25C	241613502	A B	Control-humidity, LH
26	240343803	A B	Pan, crisper, (2)
29	240430708	A B	Trim-shelf
30	240361801	A B	Cover, meat pan hanger, drop through
31	240530803	A B	Pan-meat, w/o graphics, clear
34	240385201	A B	Container, ice bin
47	240350654	A B	Insert-pan cover, glass
61	215781501	A B	Shelf, ice tray mount, wire
75	240412701	A B	Shield, light
81	5304455650	A B	Screw, hex washer head, 8-15A x 0.625, Low Profile

SYSTEM

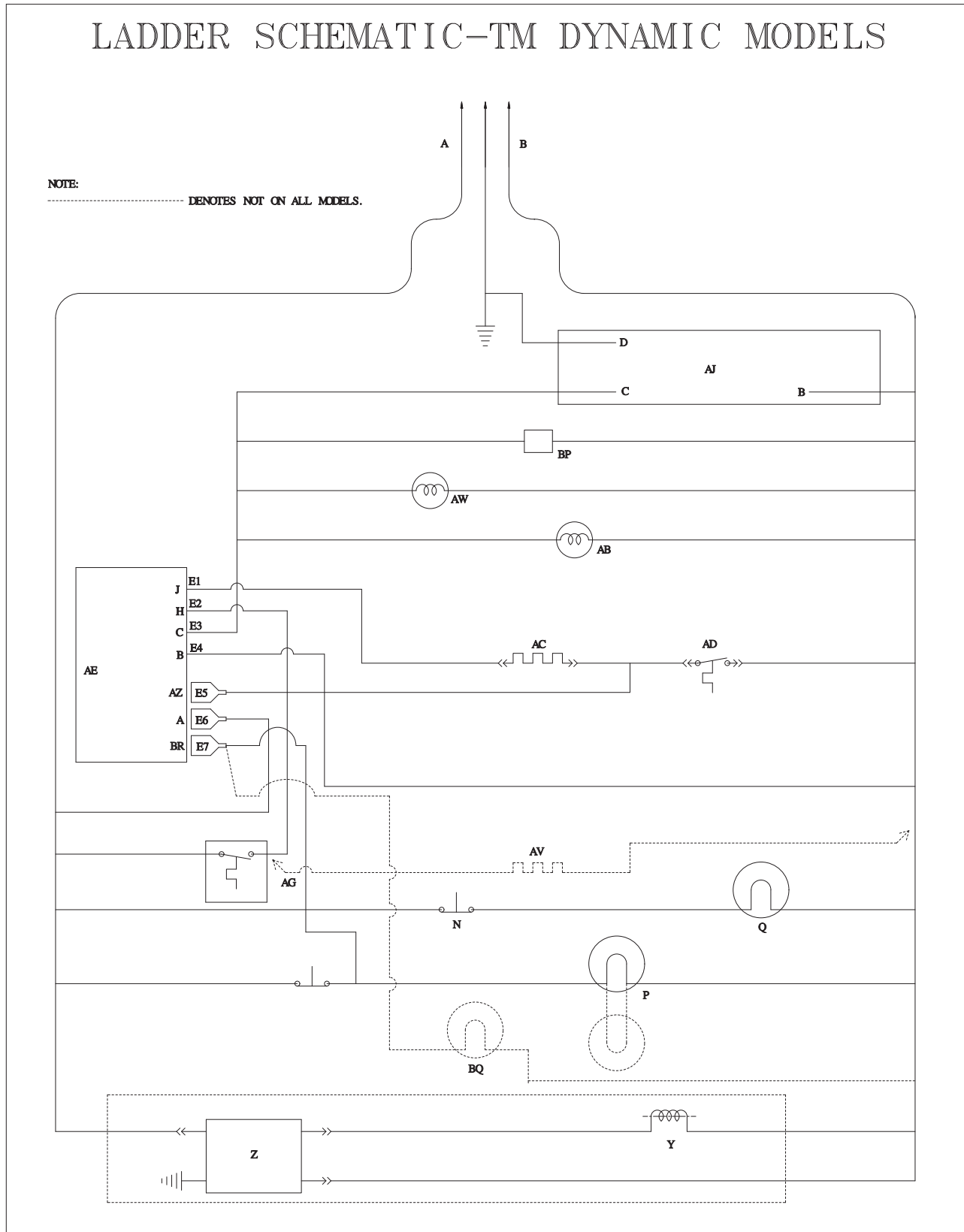


SYSTEM

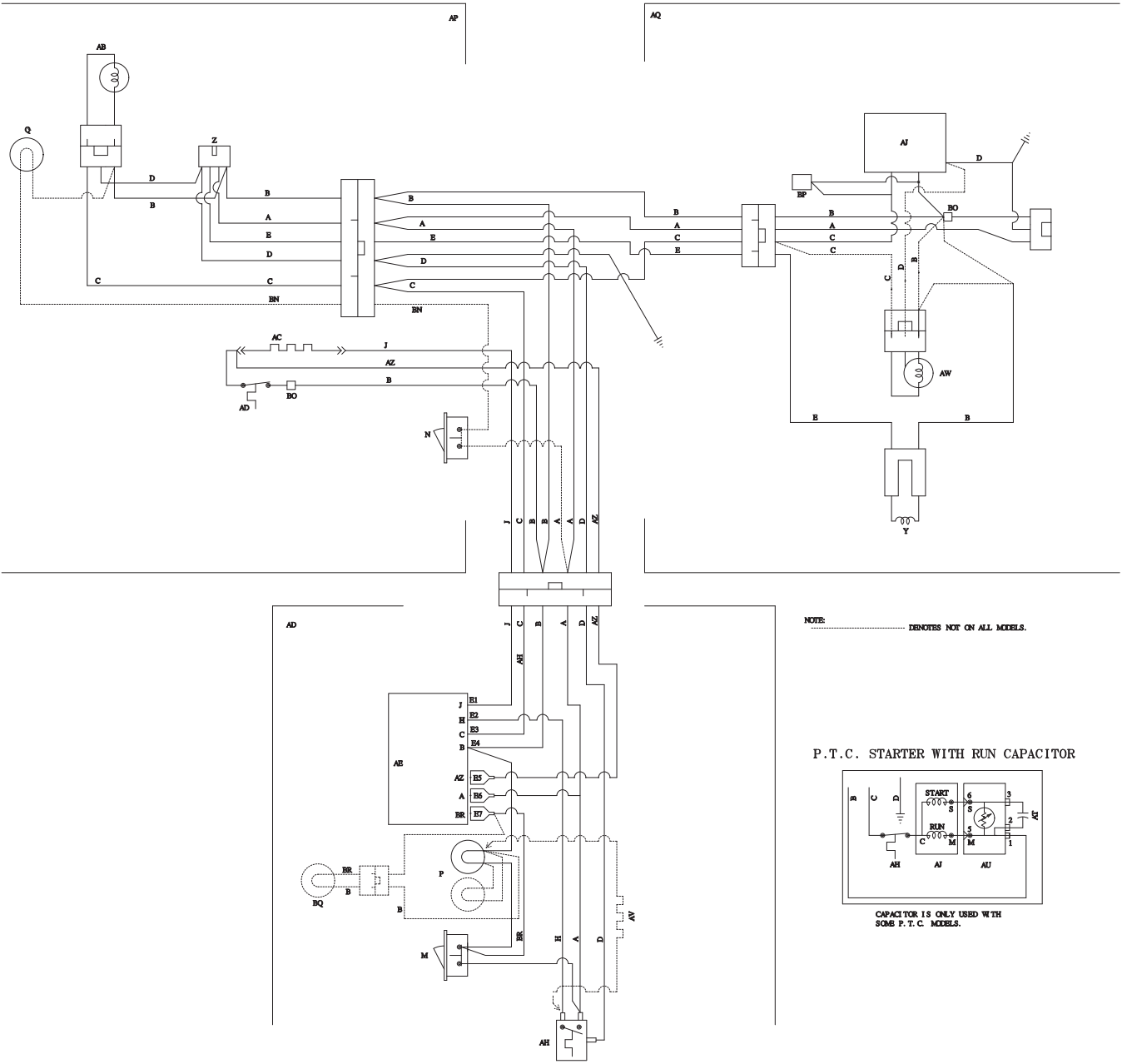
Model Index: **A** FGTD23V6M (FGTD23V6MM2)
 B FGTD23V6M (FGTD23V6MW2)

POS. NO	PART NO.		DESCRIPTION
1 #	241785403	A B	Condenser, dynamic
4 #	242047603	A B	Drier-filter
6 #	241723306	A B	Cord-service
6* #	241735901	A B	Bracket Assembly, receptacle, service cord
6* #	241832601	A B	Harness-wiring, freezer
6* #	242020001	A B	Harness, wiring, machine compt
14 #	240356218	A B	Defrost Heater, 220 V
15 #	5303918274	A B	Evaporator Kit
16	5308000110	A B	Strap-evap/heater, aluminum, (2)
17	241801301	A B	Trough-drain
20	241551902	A B	Insulation Block
21 #	5303918202	A B	Thermostat-defrost, kit
22	241665504	A B	Base-compressor
22*	218252201	A B	Screw, #8 truss hd, 10-32CA x 0.500
22*	218709101	A B	Screw, hex head, 10-32 x 0.500
23	218513300	A B	Grommet-compr mtg, (4)
25	240491503	A B	Screw-compressor mtg, 1/4-28 x 1.16, (4)
26	241697602	A B	Pan-defrost
29 #	240550927	A B	Compressor
30 #	241707714	A B	Starter-PTC
32	241809001	A B	Clamp, elec cont mtg, compressor
34	240405201	A B	Grommet, rubber, black, cond tube/wire
45	5304455650	A B	Screw, hex washer head, 8-15A x 0.625, Low Profile
55 #	218909908	A B	Capacitor, run
57	242037701	A B	Clip-compressor mtg
58	218897002	A B	Screw, hex washer head, 8-32 x 0.375
59	241935603	A B	Shroud, cond fan motor
59*	240346701	A B	Tape-foam seal, shroud
59*	240359403	A B	Screw-fan shroud, (2)
60 #	242018402	A B	Motor-condenser fan, 220-240V
61 #	240524102	A B	Fan Blade, condenser fan
82	5304418225	A B	Roller, compressor base, rear, (2)
83	5304455655	A B	Rivet, flat head, 1/4 OD x 1-3/4, roller pin
84	240597301	A B	Tube-drain, lower
85	241856901	A B	Tube-connector, suction
* #	5303918330	A B	Heat Exchanger Kit, suction line, service
*	5303918239	A B	Hot Tube Repair Kit, 220 V, service
*	240396801	A B	Clamp, tube/wiring, nylon, black/natural

WIRING SCHEMATIC

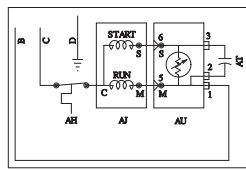


WIRING DIAGRAM



NOTE: DENOTES NOT ON ALL MODELS.

P.T.C. STARTER WITH RUN CAPACITOR



CAPACITOR IS ONLY USED WITH SOME P. T. C. MODELS.

241845601